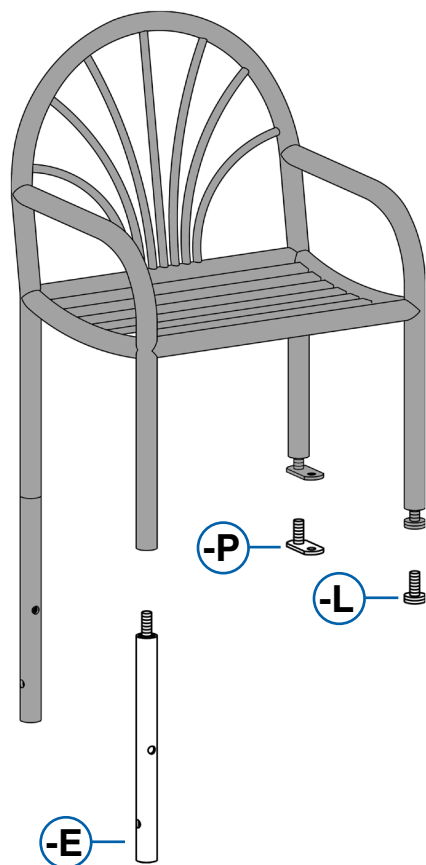
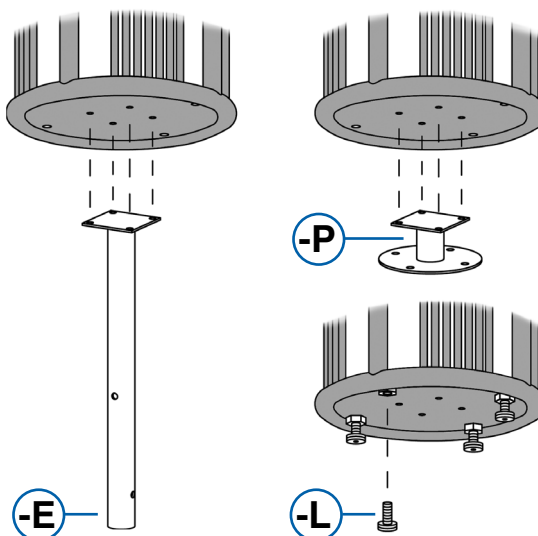


Unique Mounting Options & Colors

Mounting Options for Chairs, Seats, Benches and Tables with Legs



Mounting Options for Litter Containers (-E, -P and -L) and Tables with Center Column (-E and -P only)



- E** Add the suffix **-E** to the product model number for embedment (permanent) mounting in concrete. Holes are provided in the embedment extension for two No. 4 steel re-bars. Re-bars are not included.
- P** Add the suffix **-P** to the product model number for pedestal (fixed surface) mounting. Pedestal mounting hardware enables leveling of the product on uneven surfaces. Anchoring to the established base or floor surface is facilitated through 5/8" diameter holes. Anchoring bolts are not included.
- L** Add the suffix **-L** to the product model number for the movable option. Product is movable and leveling feet each have a nylon sole to prevent scratching polished floors.

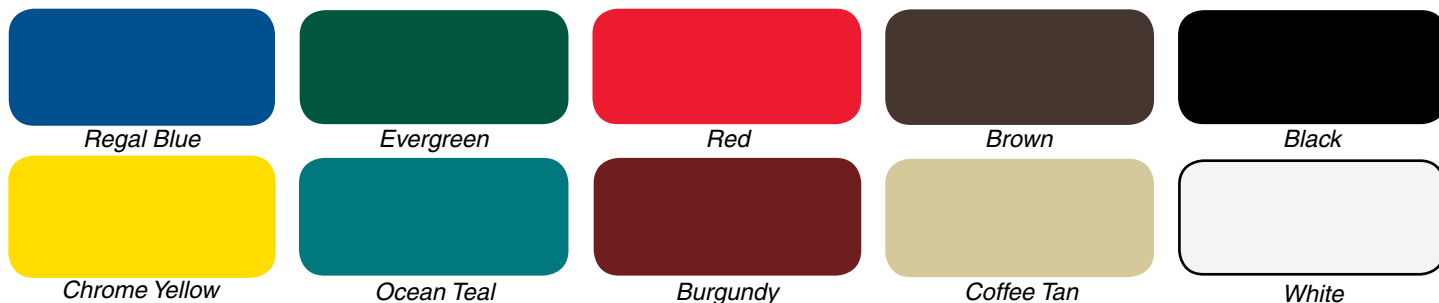
THESE VALUABLE MOUNTING OPTIONS ARE NOT AVAILABLE ON SIMILAR-LOOKING COMPETITORS' PRODUCTS

Specifications and CAD details are available via e-mail. Simply contact your local representative, e-mail us at design@timberform.com or call us toll-free at 1-800/547-1940; extension 991.



Ten CASPAX-7™ Standard Powder-Coating Colors

Choose from these standard hues or from a wide spectrum of nearly 200 special designer colors.



Due to variations in the printing process the colors shown above are only a guide to the actual powder-coating colors.